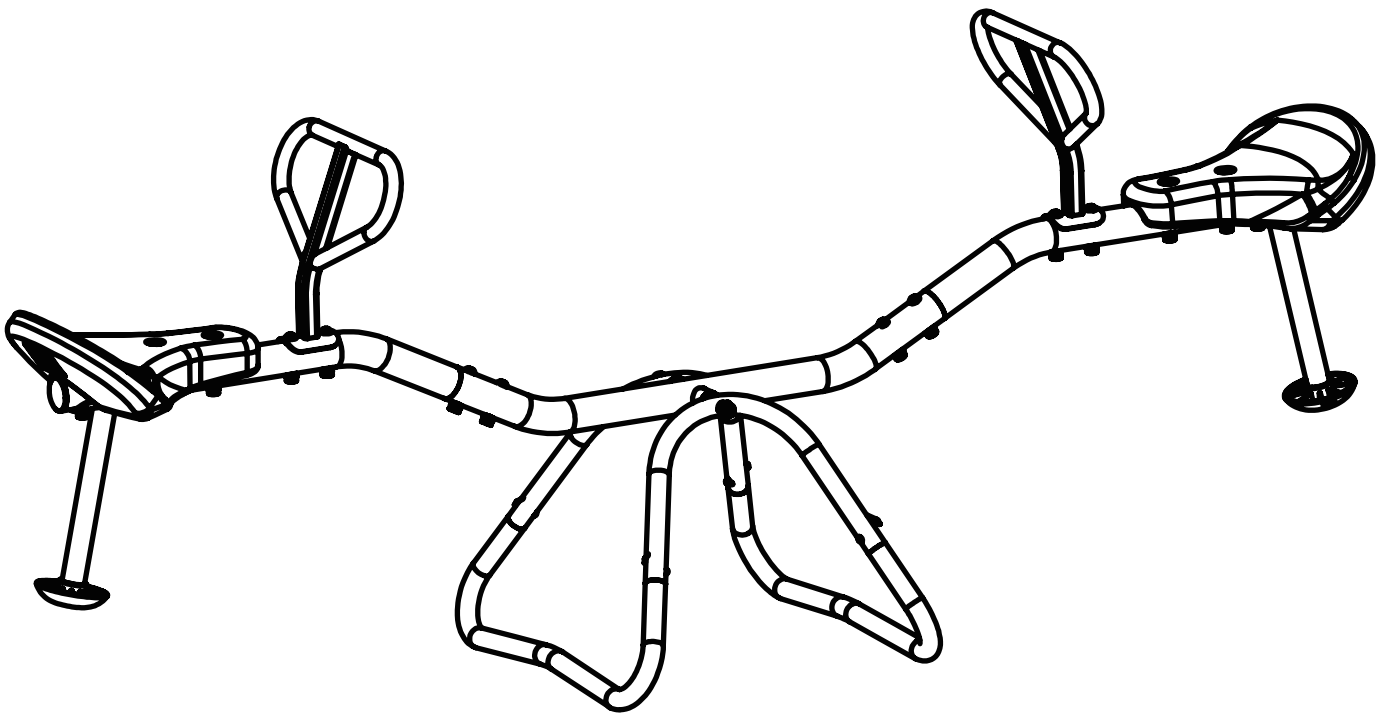


# ASSEMBLY, MAINTENANCE, & **USER MANUAL**

MODEL #STT200



## **WARNING**

Read the assembly, installation, care, maintenance, and use instructions in this manual prior to assembling and using this equipment. Save this manual for future reference.

Ages: **4-8**

Maximum occupancy: **2 users**

Maximum weight capacity: **80 lbs.**



Skwalker Holdings LLC  
P.O. Box 574, Brigham City, UT 84302

# TABLE OF CONTENTS

---

Part List.....	3
Part Identification.....	4-5
Exploded Drawing.....	6
Assembly.....	6-10
Maintenance & Care Information.....	10
Instructions for Use.....	11
Warning Label Placement.....	12
Playground Surfacing Materials Information.....	13
Limited Warranty.....	14



## STOP EVERYTHING YOU'RE DOING AND REGISTER YOUR TEETER TOTTER

Find our warranty registration online by typing in: [www.skywalkertrampolines.com/registration/](http://www.skywalkertrampolines.com/registration/)

You'll need to have the following information handy:

- Name
- Address
- Phone number
- Date of purchase
- Email address
- Model number
- Serial number
- Retailer the teeter totter was purchased from

## HEY WE'VE GOT SOMETHING REALLY IMPORTANT TO SAY

And that is... check us out online! We've got **assembly videos** (for those of you who prefer movies over books), **FAQs** (so you know you're not the only one who messed up), fascinating **blog posts** (did you know jumping burns more calories than running?), and most importantly... find us on social media! Because we want to be your friend. **We'd love to hear from you, friend.**

**Website:** [skywalkertrampolines.com](http://skywalkertrampolines.com)

**Facebook:** [facebook.com/skywalkertrampolines](https://facebook.com/skywalkertrampolines)

**YouTube:** [youtube.com/c/SkywalkerTrampolines](https://youtube.com/c/SkywalkerTrampolines)

**Pinterest:** [pinterest.com/swtrampolines](https://pinterest.com/swtrampolines)

**Twitter:** [twitter.com/swtrampolines](https://twitter.com/swtrampolines)

**Instagram:** [instagram.com/skywalker\\_trampolines](https://instagram.com/skywalker_trampolines)



## WARNING

CHOKING HAZARD- Small parts not for children under 3 years. Adult assembly required.

# PART LIST

---

Key No.	Qty.	Description
1	2	Fixed Pole
2	2	Support Pole
3	1	Rotation Pole Assembly
4	2	Seat Pole Assembly
5	2	Handle
6	2	Seat
7	2	Limit Frame
8	2	Cushion
9	4	M8x53mm Square Bolt
10	4	M8x50mm Bolt
11	4	M8x68mm Bolt
12	4	M10x53mm Bolt
13	1	M8x174mm Spindle
14	2	M6x15mm Bolt
15	18	M8 Locknut
16	2	M10 Washer
17	1	6mm Hex Key
18	1	Screwdriver
19	1	Wrench

## ORDERING REPLACEMENT PARTS

We get it... sometimes things happen. But the fun shouldn't stop just because you need a new bolt or screw! To order replacement parts, check out our website at: [www.skywalkertrampolines.com](http://www.skywalkertrampolines.com) or call our toll-free Customer Care Hot-line at **1-866-603-Jump (5867)**, Monday - Friday, 8 a.m. until 5 p.m. Mountain Time (excluding holidays).

Our customer service team will ask you a few questions in order to get the replacement part sent out as soon as possible. We're not trying to complicate your life, we promise.

When calling, make sure to have the following information ready:

- The model # of the product (see the front cover of this manual)
- The key # and description of the part (see the part list above)
- The quantity needed (only you know the answer to that one!)

## BEFORE YOU BEGIN

Thanks for choosing Skywalker Sports! We're just as excited as you are to help your family live an active (but most importantly **FUN**) lifestyle. This model is one of our favorites, and we're confident you'll love it too. To make things easier for you, we've listed important information that you (and your little outdoor adventurers) need to know. Make sure you brush up on the warnings, instructions, assembly, maintenance, and use of your new product... because there will be a pop quiz at the end! (Okay, not **REALLY**, but if you're still reading this, props to you! You're awesome).

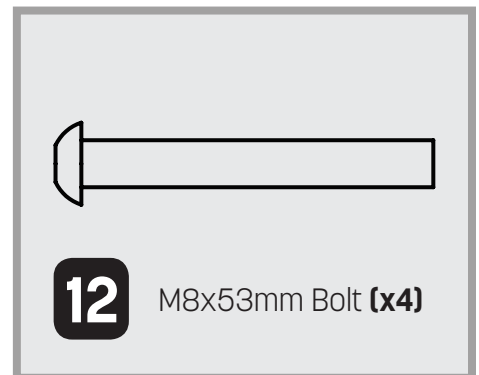
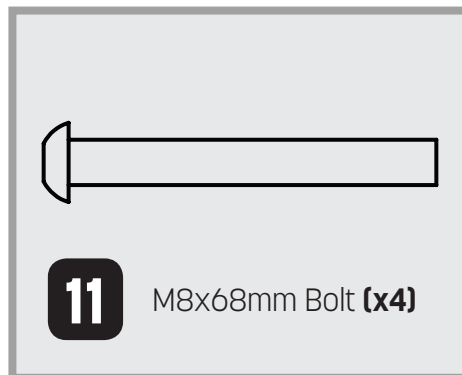
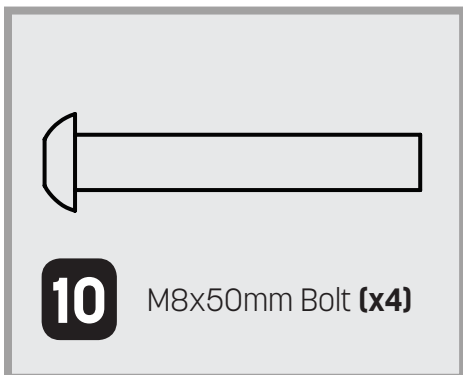
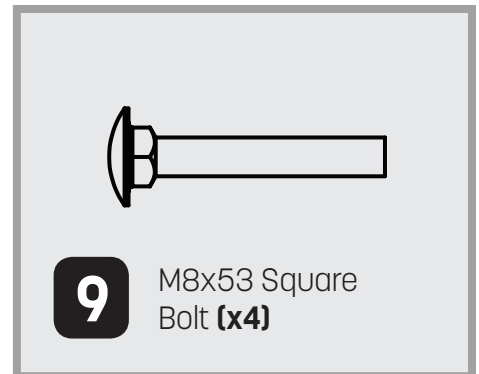
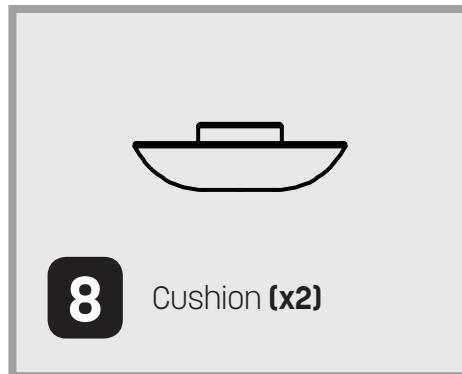
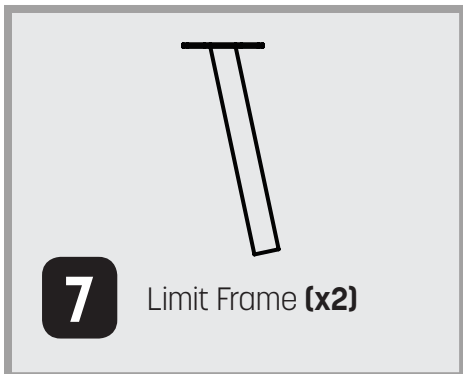
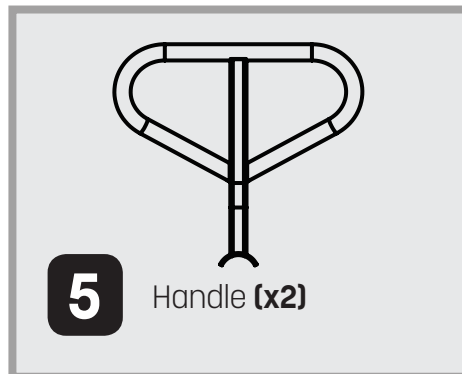
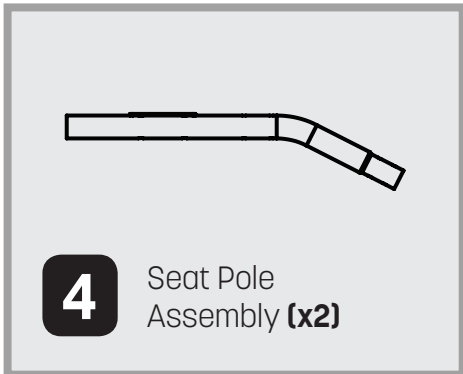
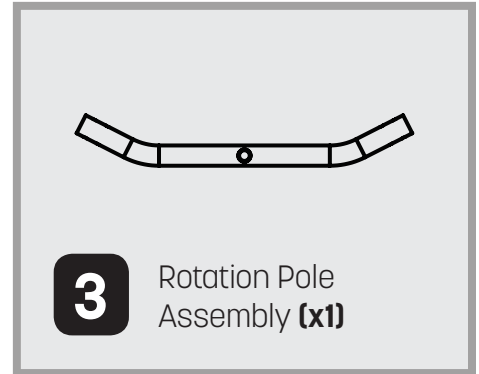
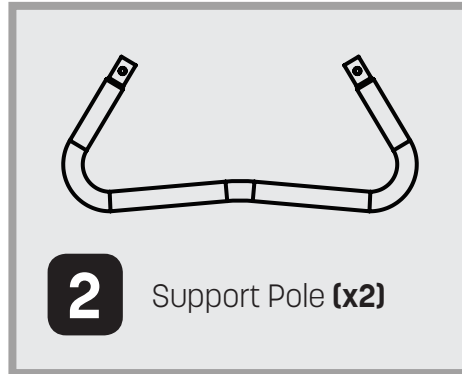
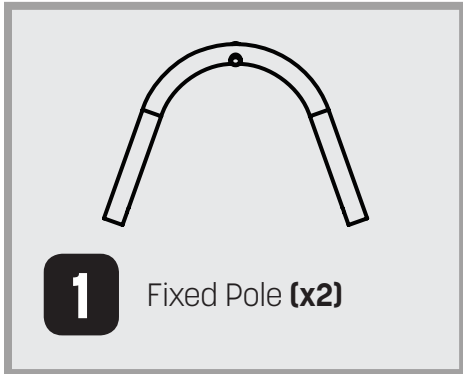


Are you a visual learner? Check out our assembly videos!

Visit: [youtube.com/c/SkywalkerTrampolines](https://youtube.com/c/SkywalkerTrampolines)

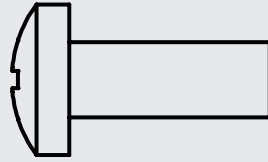
# PART IDENTIFICATION

Before you begin, take a look at the drawings below to make sure you have all the parts! The numbers in the squares to the left (**key numbers**) will help you identify the parts during assembly.

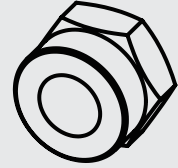




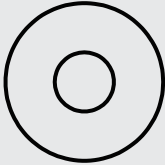
**13** M8x174mm Spindle **(x1)**



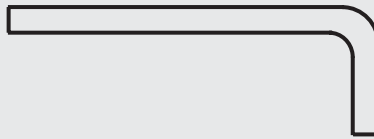
**14** M6x15mm Bolt **(x2)**



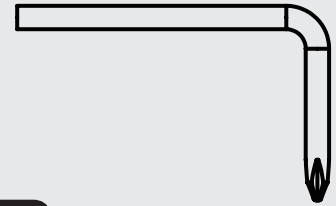
**15** M8 Locknut **(x18)**



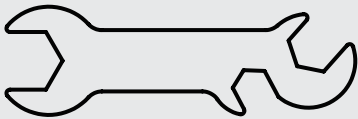
**16** M10 Washer **(x2)**



**17** 6mm Hex Key **(x1)**



**18** L-Screwdriver **(x1)**

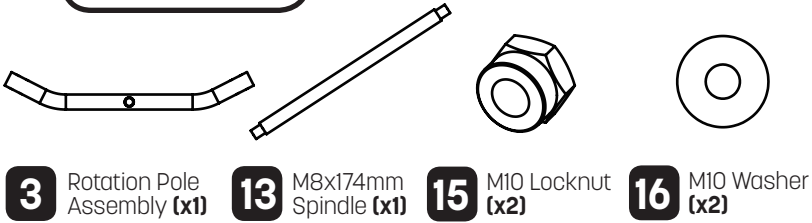


**19** Wrench **(x1)**



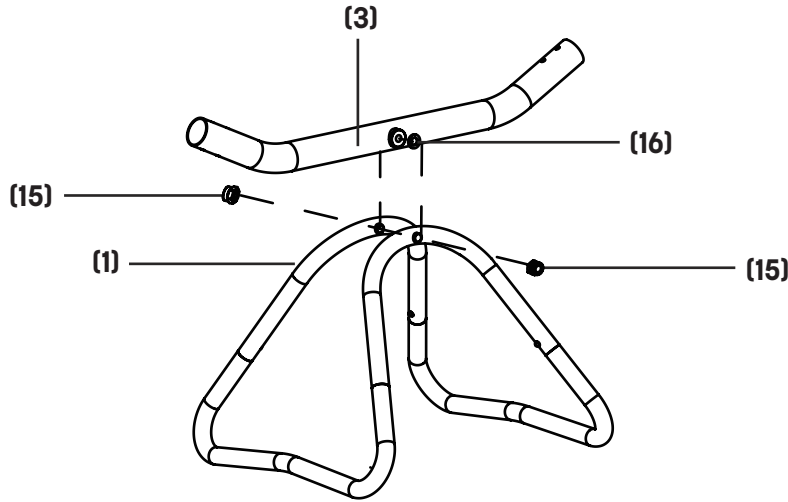
# ASSEMBLY

## STEP 2

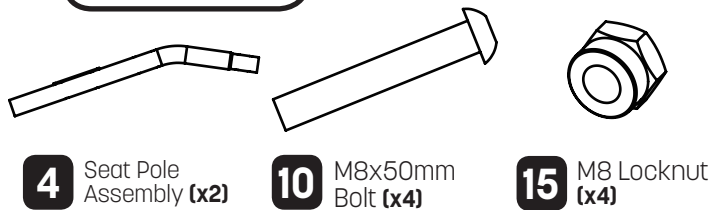


Attach the rotation pole assembly **(3)** to the turret assembly **(1)** using the M8x174mm spindle **(13)**, two M10 washers **(16)**, and two M8 locknuts **(15)**.

Don't tighten the bolt completely (the change point needs to rotate smoothly).

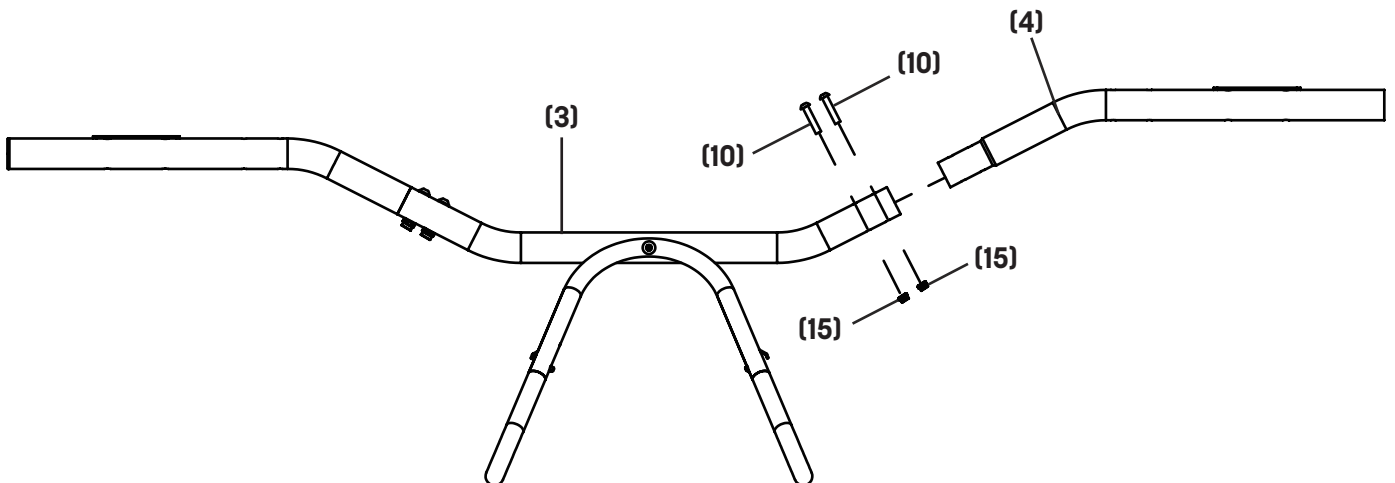


## STEP 3



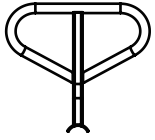
Attach the seat pole assembly **(4)** to the rotation pole assembly **(3)** using two M8x50mm bolts **(10)** and two M8 locknuts **(15)**.

Now that you're a pro at Step 3, do the same thing on the other side!

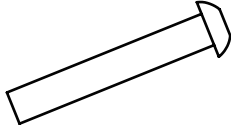


# ASSEMBLY

## STEP 4



**5** Handle (x2)



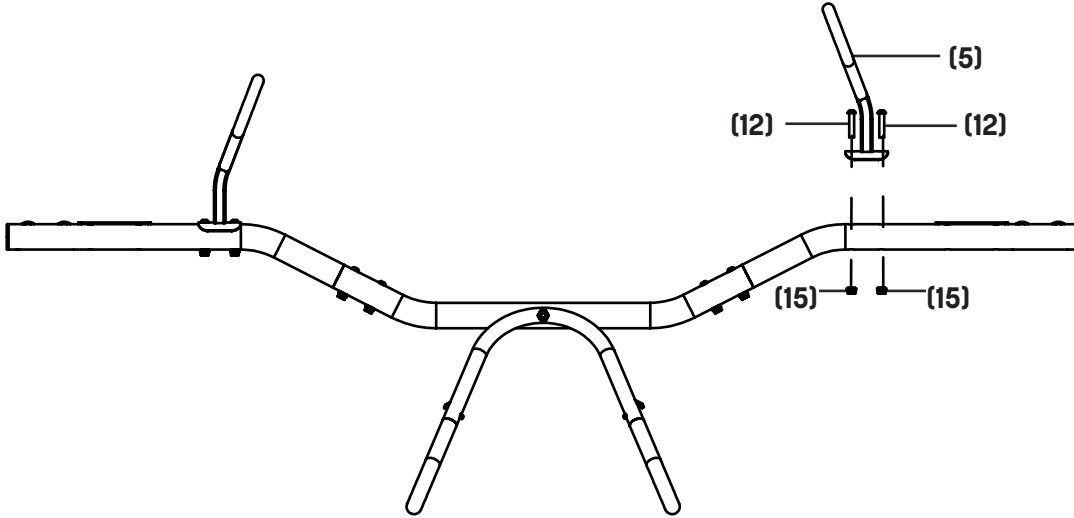
**12** M8x55mm Bolt (x4)



**15** M8 Locknut (x4)

Attach the handle **(5)** to the seat pole assembly **(4)** using two M8x55mm bolts **(12)** and two M8 locknuts **(15)**.

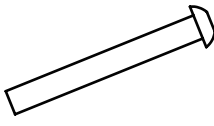
Now just do the same thing on the other side! If you want, take a snack break because you're more than halfway done, and you deserve it.



## STEP 5



**6** Seat (x2)



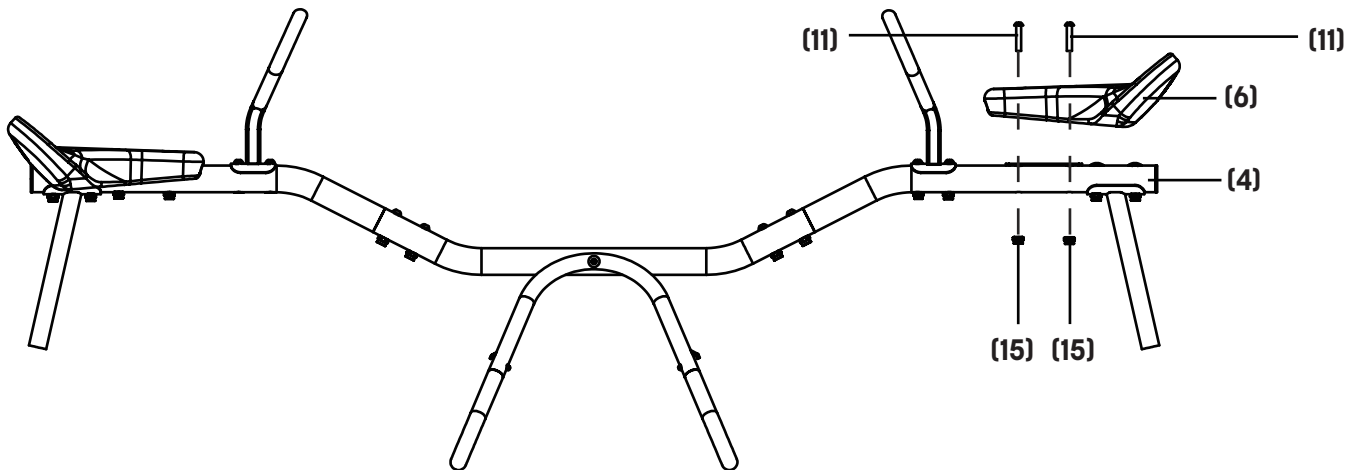
**11** M8x62mm Bolts (x4)



**14** M8 Locknut (x4)

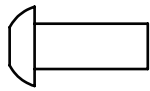
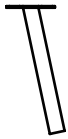
Install the seat **(6)** to the seat pole assembly **(4)** using two M8x62mm bolts **(11)** and two M8 locknuts **(14)**.

You know the drill... do the same thing on the other side.





## STEP 6



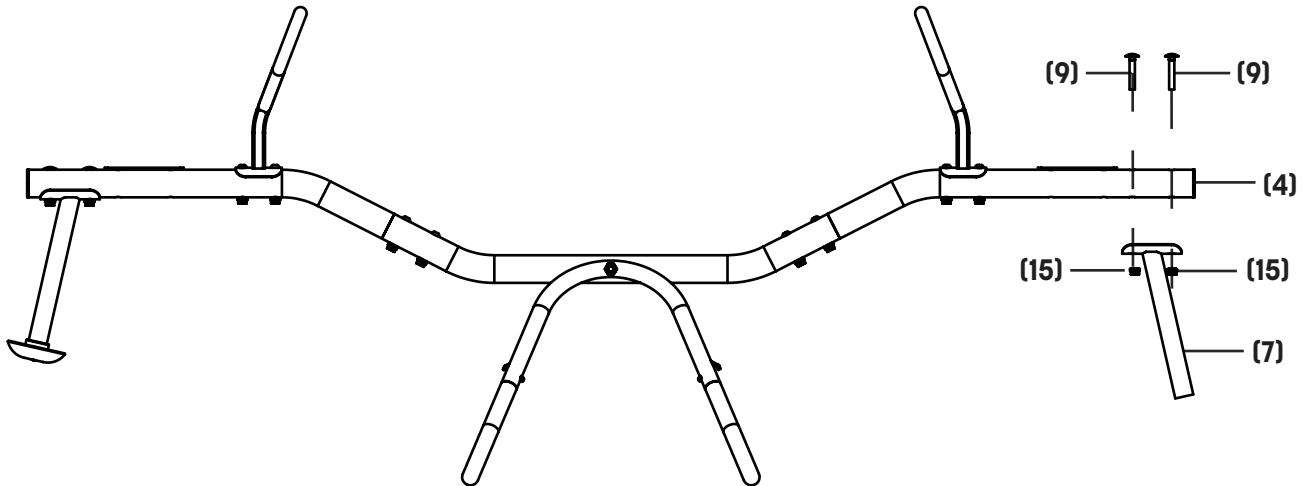
**7** Limit Frame (x2)

**9** M8x53mm Bolt (x4)

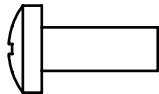
**15** M8 Locknut (x4)

This step may look complicated, but it's a piece of cake. Just install the limit frame (7) to the seat pole assembly (4) using two M8x53mm bolts (9) and two M8 locknuts (15).

Repeat this step on the other side!



## STEP 7

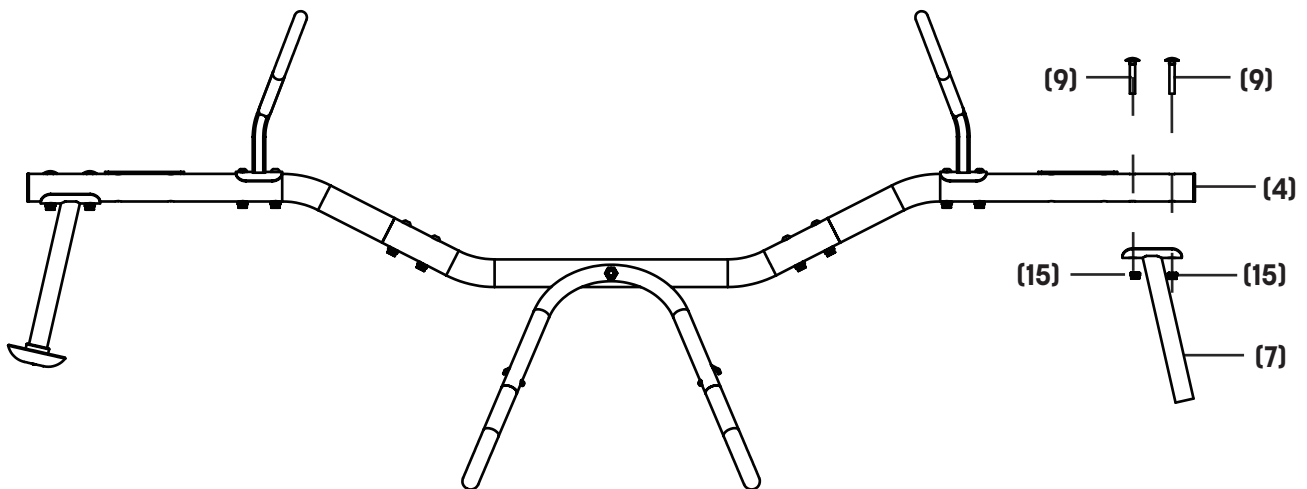


**8** Cushion (x2)

**14** M6x15mm Bolt (x2)

LAST STEP YOU'RE IN THE FINAL HOME STRETCH. Install the cushion (8) to the limit frame (7) using one M6x15mm bolt (14). Repeat this step on the other side of the teeter totter.

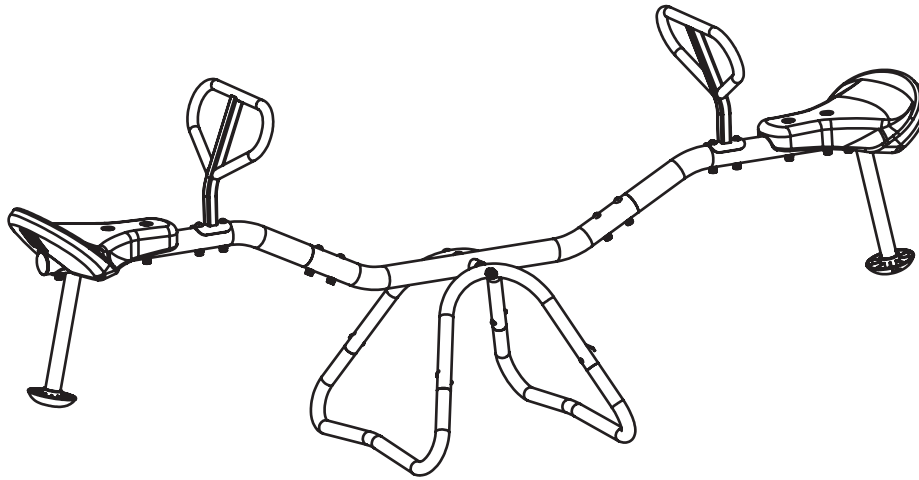
**Note: Make sure all the bolts in the steps above are tightened.**



# ASSEMBLY

## STEP 8

Congratulations on completing your new teeter totter! (See... we knew you could do it!) So here comes the real question... **are you satisfied with this completed product?** If you are, go ahead and **write a review** on the retailer's site you bought it from. We'd really appreciate it... and if we could, we'd give you a gold star. Are you completely frustrated and have some choice words for us? Contact us directly! We're not trying to ruin your life, we promise. And we'll do everything we can to make it right again. See contact info on page 2-3.



## MAINTENANCE & CARE INFORMATION

**Congratulations** and **high five** on successfully assembling your new Skywalker Sports Swivel Teeter Totter! Now, the best way to keep your new teeter totter in tip top shape, is to follow this checklist periodically:

### At the beginning of each play season:

- Lubricate all metallic moving parts.
- Check metal parts for rust. If found, sand and repaint using a nonlead-based paint.

### Twice a month during play season:

- Tighten all hardware.
- Check all protective coverings on bolts, pipes, edges, and corners. Replace if they are loose, cracked, or missing.
- Rake and check depth of loose fill protective surfacing materials to prevent compaction and to maintain appropriate depth. Replace as necessary.
- Spot clean frame when dirt accumulates.

### Once a month during play season:

- Lubricate all metallic moving parts
- Check all moving parts for wear, rust, or other deterioration. Replace as needed.

### At the end of each play season:

- Take indoors or do not use.
- Rake and check depth of loose fill protective surfacing materials to prevent compaction and to maintain appropriate depth. Replace as necessary.
- Owners shall be responsible for maintaining the legibility of the warning labels.

**Disposal Instructions:** If discarding, disassemble and dispose of the teeter totter in such a way that no unreasonable hazards will exist at the time the teeter totter is discarded.

# INSTRUCTIONS FOR USE

---

To reduce the risk of serious injury, read and follow all of the warnings, precautions, and instructions in this manual before you use this equipment. Warnings and instructions for care, maintenance, and use of this teeter totter are included to promote safe enjoyable use of this equipment.

1. It is the responsibility of the owner and supervisors of the teeter totter to make sure all users obey the safety instructions given in this manual. This teeter totter should only be used with mature, knowledgeable supervision.
2. Be sure that Teeter Totter is on a level surface, not less than 6 ft (1.8m) from any structure or obstruction such as a fence, garage, house, overhanging branches, laundry lines, or electrical wires.
3. Do not let children use equipment until properly assembled. Always inspect the teeter totter before it is used and replace any worn, defective, or missing parts. (Users may be hurt if the teeter Totter is used when it is in poor condition.) Do not install over concrete, asphalt, packed earth, grass, carpet, or any other hard surface.
4. Never set-up the teeter totter in heavy rain, wind, or storm conditions.
5. When moving the assembled teeter totter, have at least two people evenly hold the frame to lift the teeter totter off the ground.
6. The following conditions could present potential hazards: a bent or broken frame or support system, sharp protrusions on the frame or suspension, and loosened or missing hardware.
7. Dress children with well-fitting and full-foot enclosing footwear. Examples of inappropriate footwear are clogs, flip flops, and sandals.
8. Instruct children not to walk close to, in front of, behind, or between moving items. Instruct children to keep a safe distance away to keep from being struck by items in play.
9. Instruct children not to use the equipment in any manner other than intended.
10. Instruct children not to get off equipment while it is in motion. Do not allow children to jump from moving play items.
11. Dress children in comfortable clothing free of hooks, snaps, drawstrings or anything which may snag or catch in the teeter totter.
12. On-site adult supervision for children of all ages at all times is required.
13. To reduce risk of entanglement, keep small children away from the teeter totter area at all times.
14. Never let children climb on the teeter totter as this can result in the teeter totter falling over causing serious injury or death.
15. The metal frame of the teeter totter will conduct electricity. Lights, extension cords, and all such electrical equipment must never be allowed to come in contact with the teeter totter.
16. Inspect the teeter totter before each use. Make sure all parts are correctly and securely positioned and attached. Tighten any loose hardware and replace any worn, defective, or missing parts.

Don't forget to check us out online! **We'd love to hear from you.**

**Website:** [skywalkertrampolines.com](http://skywalkertrampolines.com)

**Facebook:** [facebook.com/skywalkertrampolines](https://facebook.com/skywalkertrampolines)

**YouTube:** [youtube.com/channel/UCUty7EqwIGouK5ovzGpHGGrw/feed](https://youtube.com/channel/UCUty7EqwIGouK5ovzGpHGGrw/feed)


**Pinterest:** [pinterest.com/swtrampolines](https://pinterest.com/swtrampolines)

**Twitter:** [twitter.com/swtrampolines?lang=en](https://twitter.com/swtrampolines?lang=en)

**Instagram:** [instagram.com/skywalker\\_trampolines/?hl=en](https://instagram.com/skywalker_trampolines/?hl=en)

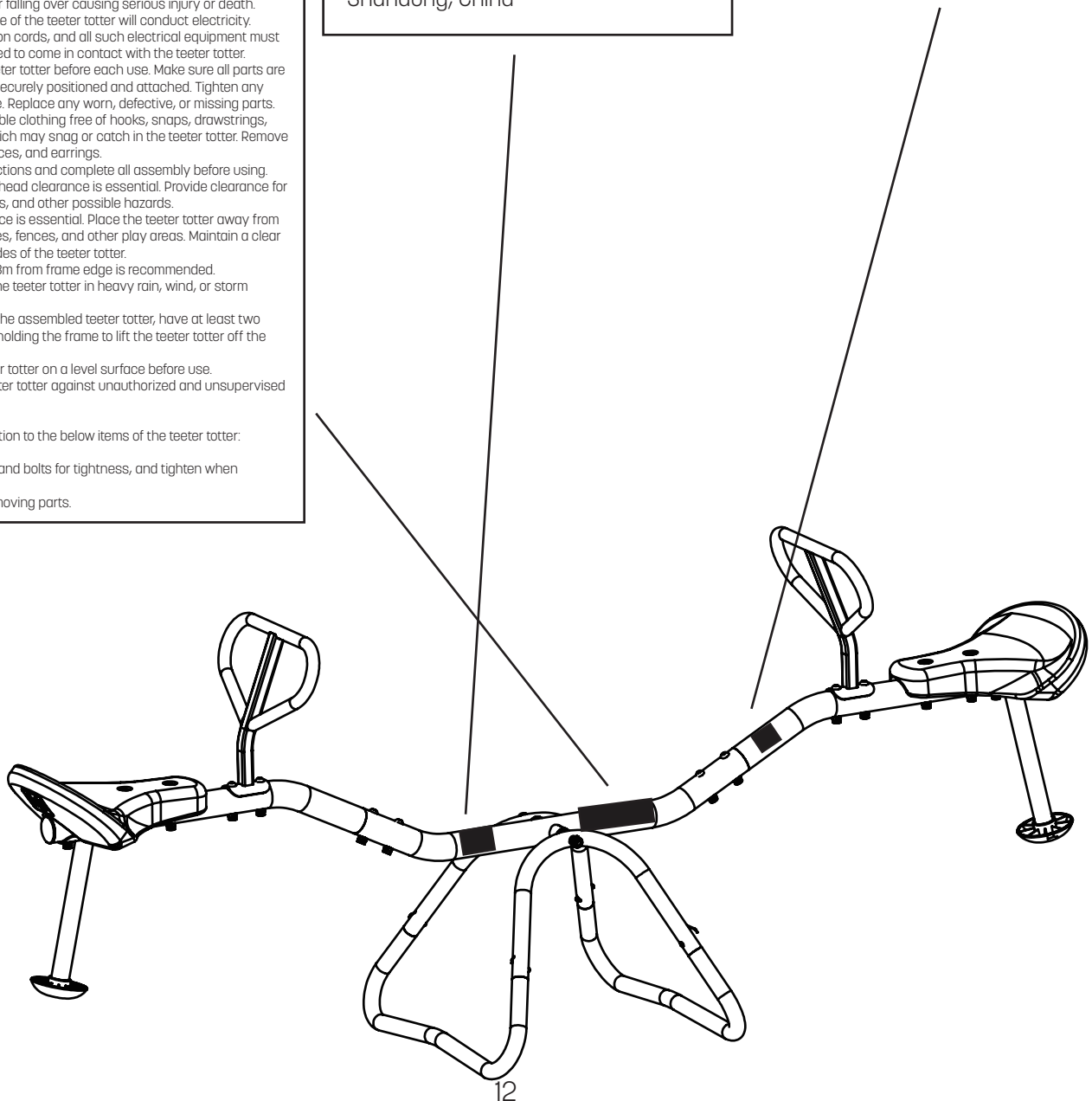
# WARNING LABEL PLACEMENT

The labels shown on this page have been attached to the teeter totter in the indicated locations. If one of the labels or is missing or illegible, call our Customer Care Hot Line toll-free at **1-866-603-JUMP (5867)**, Monday through Friday, 8 a.m. until 5 p.m. Mountain Time, to order a free replacement label.

<b>⚠ WARNING</b>	
	Read and understand warnings listed below before using this product. Failure to follow these warnings may result in serious injury and/or property damage.
Owner must ensure that all players know and follow these rules for safe operation of the system:	
<ul style="list-style-type: none"><li>• Adult supervision is required at all times when the teeter totter is used by children.</li><li>• To reduce risk of entanglement, keep small children away from the teeter totter area at all times.</li><li>• When properly assembled and used as intended, this teeter totter is designed to provide many hours of playing enjoyment.</li><li>• Never let children climb on the teeter totter as this can result in the teeter totter falling over causing serious injury or death.</li><li>• The metal frame of the teeter totter will conduct electricity.</li><li>• Lights, extension cords, and all such electrical equipment must never be allowed to come in contact with the teeter totter.</li><li>• Inspect the teeter totter before each use. Make sure all parts are correctly and securely positioned and attached. Tighten any loose hardware. Replace any worn, defective, or missing parts.</li><li>• Wear comfortable clothing free of hooks, snaps, drawstrings, of anything which may snag or catch in the teeter totter. Remove jewelry, necklaces, and earrings.</li><li>• Read all instructions and complete all assembly before using.</li><li>• Adequate overhead clearance is essential. Provide clearance for wires, tree limbs, and other possible hazards.</li><li>• Lateral clearance is essential. Place the teeter totter away from walls, structures, fences, and other play areas. Maintain a clear space on all sides of the teeter totter.</li><li>• A minimum of 3m from frame edge is recommended.</li><li>• Never set up the teeter totter in heavy rain, wind, or storm conditions.</li><li>• When moving the assembled teeter totter, have at least two people evenly holding the frame to lift the teeter totter off the ground.</li><li>• Place the teeter totter on a level surface before use.</li><li>• Secure the teeter totter against unauthorized and unsupervised use.</li></ul>	
Please pay attention to the below items of the teeter totter:	
<ul style="list-style-type: none"><li>• Check all nuts and bolts for tightness, and tighten when required.</li><li>• Oil all metallic moving parts.</li></ul>	

<b>Model STT100</b> Skywalker Sports Swivel Teeter Totter	
Skywalker Holdings, LLC P.O. Box 547 Brigham City, UT 84302 www.skywalkertrampolines.com	
Made in China: Qingdao Industrial Park Cheng-yang Qingdao Shandong, China	

<b>⚠ WARNING</b>
THIS PRODUCT IS INTENDED FOR USE BY CHILDREN FROM AGES 4 TO 8.
“This conforms to ASTM F1148, Consumer Safety Performance Specification for Home Playground Equipment.”



# PLAYGROUND SURFACING MATERIALS

---

The following information is from Section 4 of the United States Consumer Product Safety Commission's (USCPSC) Outdoor Home Playground Safety Handbook for playground surfacing material.

## **X3.** SECTION 4 OF THE CONSUMER PRODUCT SAFETY COMMISSION'S OUTDOOR HOME PLAYGROUND SAFETY HANDBOOK

**X3.1** Select Protective Surfacing – One of the most important things you can do to reduce the likelihood of serious head injuries is to install shock-absorbing protective surfacing under and around your play equipment. The protective surfacing should be applied to a depth that is suitable for the equipment height in accordance with ASTM Specification F1292. There are different types of surfacing to choose from; which ever product you select, follow these guidelines:

### **X3.1.1** Loose Fill Materials:

**X3.1.1.1** Maintain a minimum depth of 9 inches of loose-fill materials such as wood mulch/chips, engineered wood fiber (EWF), or shredded/recycled rubber mulch for equipment up to 8 feet high; and 9 inches of sand or pea gravel for equipment up to 5 feet high. NOTE: An initial fill level of 12 inches will compress to about a 9-inch depth of surfacing over time. The surfacing will also compact, displace, and settle, and should be periodically refilled to maintain at least a 9-inch depth.

**X3.1.2** Use a minimum of 6 inches of protective surfacing for play equipment less than 4 feet in height. If maintained properly, this should be adequate. (At depths less than 6 inches, the protective material is too easily displaced or compacted.) NOTE: Do not install home playground equipment over concrete, asphalt, or any other hard surface. A fall onto a hard surface can result in serious injury to the equipment user. Grass and dirt are not considered protective surfacing because wear and environmental factors can reduce their shock absorbing effectiveness. Carpeting and thin mats are generally not adequate protective surfacing. Ground level equipment such as a sandbox, activity wall, playhouse or other equipment that has no elevated play surface does not need any protective surfacing.

**X3.1.3** Use containment, such as digging out around the perimeter and/or lining the perimeter with landscape edging. Don't forget to account for water drainage.

**X3.1.3.1** Check and maintain the depth of the loose-fill surfacing material. To maintain the right amount of loose-fill materials, mark the correct level on play equipment support posts. That way you can easily see when to replenish and/or redistribute the surfacing.

**X3.1.3.2** Do not install loose fill surfacing over hard surfaces such as concrete or asphalt.

**X3.1.4** Poured-In-Place Surfaces or Pre-Manufactured Rubber Tiles – You may be interested in using surfacing other than loose-fill materials like rubber tiles or poured-in-place surfaces.

**X3.1.4.1** Installations of these surfaces generally require a professional and are not "do-it-yourself " projects.

**X3.1.4.2** Review surface specifications before purchasing this type of surfacing. Ask the installer/ manufacturer for a report showing that the product has been tested to the following safety standard: ASTM F 1292 Standard Specification for Impact Attenuation of Surfacing Materials within the Use Zone of Playground Equipment. This report should show the specific height for which the surface is intended to protect against serious head injury. This height should be equal to or greater than the fall height - vertical distance between a designated play surface (elevated surface for standing, sitting, or climbing) and the protective surfacing below - of your play equipment.

**X3.1.4.3** Check the protective surfacing frequently for wear.

**X3.1.5** Placement – Proper placement and maintenance of protective surfacing is essential. Be sure to:

**X3.1.5.1** Extend surfacing at least 6 feet from the equipment in all directions.

**X3.1.5.2** For to-fro swings, extend protective surfacing in front of and behind the swing to a distance equal to twice the height of the top bar from which the swing is suspended.

**X3.1.5.3** For tire swings, extend surfacing in a circle whose radius is equal to the height of the suspending chain or rope, plus 6 feet in all directions.

This information has been extracted from the CPSC publications "Playground Surfacing – Technical Information Guide" and "Handbook for Public Playground Safety." Copies of these reports can be obtained by sending a postcard to the: Office of Public Affairs, U.S. Consumer Product Safety Commission, Washington, D.C., 20207 or call the toll-free hotline: 1-800-638-2772.

# LIMITED WARRANTY

---

Skywalker Holdings, LLC warrants its products to be free from defects in material and workmanship under normal use and service conditions. **The steel frame is warranted for three (3) years after the date of purchase. All other parts are warranted for one (1) year after the date of purchase.** Warranty coverage extends only to the original retail purchaser from the date of original purchase. This warranty is only valid concerning products used for residential use. Products used for commercial use, such as schools and daycares, will not be covered.

## WHAT IS NOT COVERED?



**Weather Damage:** The warranty does not cover damage due to the effects or acts of nature, such as earthquakes, wind, hurricanes, tornadoes, lightning, rain, fire, snow, excessive heat and cold conditions and/or sun damage. During the winter months the trampoline soft materials will need to be removed and stored in a dry place out of the snow. If left unprotected in the winter months, some components such as springs, jump mat, spring pad and enclosure, may become damaged, voiding this warranty.



**Fading and Rust:** Our products are fully galvanized. Skywalker does not warranty against rust or corrosion. Some areas may have higher air salt content, higher humidity, heavier rain and heavier snow. Skywalker does not warranty against fading. We suggests customers use a UV protectant on the frame pad to extend the life of the product.



**Loss or Damage to Product Due to:** **Loss or damage caused during** shipping or caused by abuse, misuse, improper or abnormal usage or authorized repair are not covered by this warranty and may also void the warranty.



**Unauthorized Replacement Parts:** The warranty will become void if any defects or damages are associated with the use of unauthorized replacement parts. All replacement parts must be obtained from an authorized agent.



**Assembly Service:** The warranty does not cover acts or omissions provided by a third-party assembly service. It is the customer's responsibility to check all boxes and confirm all components are included and in their proper condition before installation occurs.

## INSPECTION AND REPLACEMENT PARTS:

1. Your trampoline SHOULD BE INSPECTED UPON UNPACKING AND SET UP AND THEREAFTER ON A REGULAR BASIS. WORN, DAMAGED OR BROKEN PARTS SHOULD BE REPLACED IMMEDIATELY AND BEFORE USE.
2. Call the Skywalker Trampoline Customer Service Department at 1-866-603-5867 to file a warranty claim. Be prepared to provide the following information: name, shipping address, a copy of your original sales receipt, a brief description of the problem and cause, trampoline model number and serial number. We may also ask for photos of the damaged/defective parts.
3. After reviewing your information and examining your photos, Skywalker Trampolines will make the determination if this part is covered by this warranty. If so, a replacement part will be sent to you.

**NOTE:** All requested information must be provided in order to review your warranty claim.

To order replacement parts for your product please visit [www.skywalkertrampolines.com](http://www.skywalkertrampolines.com)

Skywalker Holdings, LLC, PO Box 574, Brigham City, UT 84302 USA.

Printed in China © 2017 Skywalker Holdings, LLC

**NOTE:** SKYWALKER HOLDINGS, LLC IS NOT RESPONSIBLE OR LIABLE FOR INDIRECT, SPECIAL OR CONSEQUENTIAL DAMAGES ARISING OUT OF OR IN CONNECTION WITH THE USE OR PERFORMANCE OF THE PRODUCT OR OTHER DAMAGES WITH RESPECT TO ANY ECONOMIC LOSS, LOSS OF PROPERTY, LOSS OF REVENUE OR PROFITS, LOSS OF ENJOYMENT OR USE, COST OF REMOVAL, INSTALLATION OR OTHER CONSEQUENTIAL DAMAGES. SOME STATES DO NOT ALLOW THE EXCLUSION OR LIMITATION OF INCIDENTAL OR CONSEQUENTIAL DAMAGES. ACCORDINGLY, THE ABOVE LIMITATION MAY NOT APPLY TO YOU.

THE WARRANTY EXTENDED HEREUNDER IS IN LIEU OF ALL OTHER WARRANTIES AND ANY IMPLIED WARRANTY OF MERCHANTABILITY OR FITNESS FOR A PARTICULAR PURPOSE IS LIMITED IN ITS SCOPE AND DURATION TO THE TERMS SET FORTH HEREIN. SOME STATES OR COUNTRIES DO NOT ALLOW LIMITATIONS ON HOW LONG AN IMPLIED WARRANTY LASTS. ACCORDINGLY, THE ABOVE LIMITATION MAY NOT APPLY TO YOU. THIS WARRANTY GIVES YOU SPECIFIC LEGAL RIGHTS. YOU MAY ALSO HAVE OTHER RIGHTS WHICH VARY STATE TO STATE OR COUNTRY TO COUNTRY.

THIS WARRANTY IS VALID ONLY IN THE COUNTRY THE PRODUCT WAS PURCHASED.